

100
years



V.MARIOTTI
SINCE 1920
COMPACT FORKLIFT SOLUTIONS

MYCROS 10 13

SPECIFICATION
SHEET

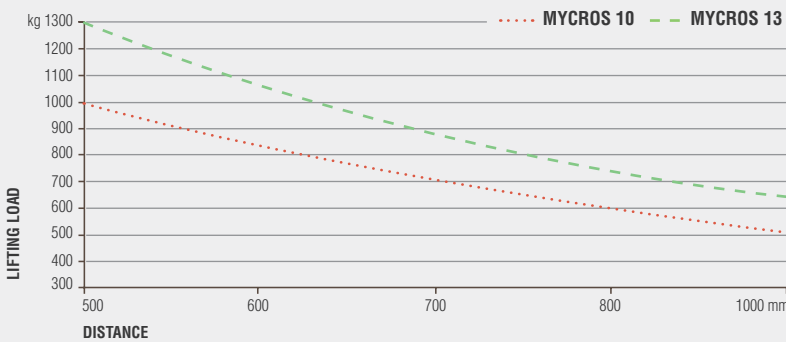


MYCROS 10 - 13 RWD / FWD / AWD

- Traction: rear, front or all wheel
- Voltage 36V
- AC traction and pump motors
- Electronic Lift Control
- Cushion or Superelastic tyres
- Power Steering
- Integrated side-shift
- Lift height from 2900mm to 5700mm
- Curve Speed Control (CSC)
- AST 2830 mm

MAST DETAILS MYCROS 10-13

HEIGHT		STANDARD INCL. SIDE-SHIFT				DUPLEX INCL. SIDE-SHIFT				TRIPLEX INCL. SIDE-SHIFT		
Lifting	h_{23}	2900	3200	3800	4200	2900	3200	3800	4200	4350	4800	5700
Height mast collapsed	h_1	1950	2102	2402	2602	1950	2102	2402	2602	1950	2102	2402
Height mast extended	h_4	3405	3709	4309	4709	3405	3709	4309	4709	4848	5304	6204
Free lift	h_2	-	-	-	-	1478	1630	1930	2130	1478	1630	1930
Width RWD	b_1	910 SE-920 V		980SE-990V		910 SE-920 V		980SE-990V		980SE-990V		
Width FWD-AWD	b_1	930 SE-940 V				930 SE-940 V				1020 SE-990 V		

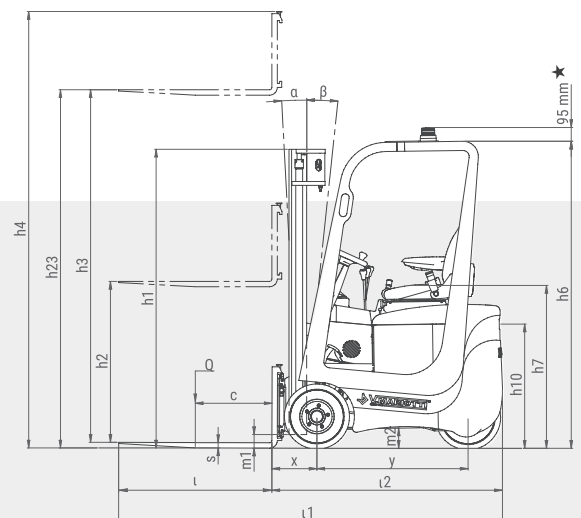
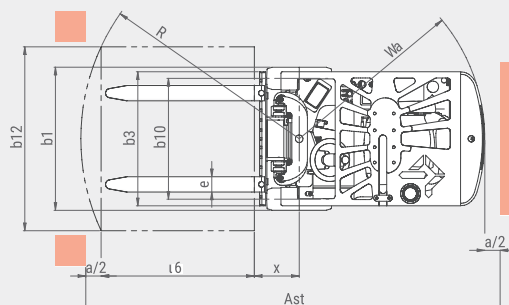


Data showed are not binding and are liable to variations.
The constructor reserves the right of changes without notice.

$a / 2 = 100 \text{ mm}$

★ On demand installation of the strobo light under the height of the overhead guard **h6**

In accordance with VDI Guideline 2198 this specification sheet provides details of the standard truck only. Non-standard tyres, different masts, optional equipment, etc. may result in different values.



	1.1 Manufacturer			V.MARIOTTI S.r.l.			V.MARIOTTI S.r.l.			
	1.2 Model			MYCROS 10 RWD	MYCROS 10 FWD	MYCROS 10 AWD	MYCROS 13 RWD	MYCROS 13 FWD	MYCROS 13 AWD	
CHARACTERISTICS	1.3 Type of drive			electric	electric	electric	electric	electric	electric	
	1.4 Operator type			seated	seated	seated	seated	seated	seated	
	1.5 Load capacity/rated load	Q	kg	1000	1000	1000	1300	1300	1300	
	1.6 Load centre distance	c	mm	500	500	500	500	500	500	
	1.8 Load distance	x	mm	290 ●	290 ●	290 ●	290 ●	290 ●	290 ●	
	1.9 Wheel base min / max (adjustable)	y	mm	960 / 1050	960 / 1050	960 / 1050	960 / 1050	960 / 1050	960 / 1050	
	WEIGHTS	2.1 Service weight incl. battery (see row 6.5)		kg	2220 ■	2320 ■	2420 ■	2550 ■	2650 ■	2650 ■
		2.2 Axle load, with load, front / rear		kg	2750 / 470	2840 / 480	2900/520	3370 / 480	3460 / 490	3420/530
		2.3 Axle load, without load, front / rear		kg	1090 / 1130	1150 / 1170	1170/1250	1200 / 1350	1290 / 1360	1240/1410
WHEELS	3.1 Tyres: Superelastic (SE), Cushion (V)			SE - V	SE - V	SE - V	SE - V	SE - V	SE - V	
	3.2 Tyre size front		mm	145x60-9 413x152x285,8	145x60-9 413x152x285,8	145x60-9 413x152x285,8	145x60-9 413x152x285,8	145x60-9 413x152x285,8	145x60-9 413x152x285,8	
	3.3 Tyre size rear		mm	145x60-9 413x152x285,8	145x60-9 413x152x285,8	145x60-9 413x152x285,8	145x60-9 413x152x285,8	145x60-9 413x152x285,8	145x60-9 413x152x285,8	
	3.5 Wheels, number front/rear (◆ = driven wheels)			2 / 1 ◆	2 ◆ / 1	2 ◆ / 1 ◆	2 / 1 ◆	2 ◆ / 1	2 ◆ / 1 ◆	
	3.6 Track width, front	b ₁₀	mm	765 SE - 768 V	784 SE - 788 V	784 SE - 788 V	765 SE - 768 V	784 SE - 788 V	784 SE - 788 V	
	DIMENSIONS	4.1 Tilt of mast/fork carriage forward/backward	α/β	<°	2° 50' / 6°	2° 50' / 6°	2° 50' / 6°	2° 50' / 6°	2° 50' / 6°	2° 50' / 6°
4.2 Collapsed mast height		h ₁	mm	2102	2102	2102	2102	2102	2102	
4.3 Free lift		h ₂	mm	\	\	\	\	\	\	
4.4 forks lifting		h ₃	mm	3165	3165	3165	3165	3165	3165	
Lifting height		h ₂₃	mm	3200	3200	3200	3200	3200	3200	
4.5 Height mast extended		h ₄	mm	3709	3709	3709	3709	3709	3709	
4.7 Height of overhead guard		h ₅	mm	1998	1998	1998	1998	1998	1998	
4.8 Seat height		h ₇	mm	980	980	980	980	980	980	
4.12 Coupling height		h ₁₀		810	810	810	810	810	810	
4.19 Overall length		l ₁		2498	2498	2498	2498	2498	2498	
4.20 Length including back of forks		l ₂	mm	1498 ●	1498 ●	1498 ●	1498 ●	1498 ●	1498 ●	
4.21 Overall width		b ₁	mm	910 SE - 920 V	930 SE - 940 V	930 SE - 940 V	910 SE - 920 V	930 SE - 940 V	930 SE - 940 V	
4.22 Fork dimensions		s/e/l	mm	35x100x1000	35x100x1000	35x100x1000	35x100x1000	35x100x1000	35x100x1000	
4.23 Forks carriage ISO 2328, Class/form A, B				ISO II/A	ISO II/A	ISO II/A	ISO II/A	ISO II/A	ISO II/A	
4.24 Forks carriage width		b ₃	mm	875	875	875	875	875	875	
4.31 Floor clearance with load under mast		m ₁	mm	90	90	90	90	90	90	
4.32 Floor clearance centre wheelbase		m ₂	mm	110	110	110	110	110	110	
4.33 Aisle width for pallets 1000 x 1200 sideways		A _{st}	mm	2830	2830	2830	2830	2830	2830	
4.34 Aisle width for pallets 800 x 1200 lengthways		A _{st}	mm	2950	2950	2950	2950	2950	2950	
4.35 Turning radius		W ₃	mm	1208 ▲	1208 ▲	1208 ▲	1208 ▲	1208 ▲	1208 ▲	
PERFORMANCE	5.1 Driving speed with/without load		km/h	9 / 9,2	9,2 / 9,5	9,2 / 9,5	9 / 9,2	9 / 9,5	9 / 9,5	
	5.2 Lifting speed with/without load		m/s	0,29 / 0,38	0,29 / 0,38	0,29 / 0,38	0,28 / 0,38	0,28 / 0,38	0,28 / 0,38	
	5.3 Lowering speed with/without load		m/s	0,35 / 0,26	0,35 / 0,26	0,35 / 0,26	0,36 / 0,26	0,36 / 0,26	0,36 / 0,26	
	5.6 Max. drawbar pull, with/without load		N	3100 / 3250	3100 / 3250	3100 / 3250	3000 / 3200	3000 / 3200	3000 / 3200	
	5.7 Gradeability, with/without load		%	13 / 18	14 / 18	14 / 18	10 / 16	11 / 18	11 / 18	
	5.8 Max Gradeability, with/without load		%	17 / 25	18 / 25	18 / 25	15 / 24	16 / 24	16 / 24	
5.10 Service brake			hydraulic	hydraulic	hydraulic	hydraulic	hydraulic	hydraulic		
ELECTRIC SYSTEM	6.1 Driving motor rating S2 60 min.		kW	5	3,5 x 2	3,5 x 2 + 5	5	3,5 x 2	3,5 x 2 + 5	
	6.2 Lifting motor rating at S3 20%		kW	6,5	6,5	6,5	6,5	6,5	6,5	
	6.4 Battery voltage/nominal capacity K5		V/Ah	36/315 - 36/500	36/375 - 36/500	36/375 - 36/500	36/500	36/500	36/500	
	6.5 Battery weight		kg	400 ■ - 570	460 ■ - 570	460 ■ - 570	570 ■	570 ■	570 ■	
	OTHER	8.1 Type of drive control			AC MOSFET	AC MOSFET	AC MOSFET	AC MOSFET	AC MOSFET	AC MOSFET
8.2 Working pressure for attachments			bar	155	155	155	190	190	190	
8.4 Sound pressure level at operator's ear			db(A)	-	-	-	-	-	-	

- ▲ with mast in vertical position
- included side-shift

In accordance with VDI Guideline 2198 this specification sheet provides details of the standard truck only. Non-standard tyres, different masts, optional equipment, etc. may result in different values.