

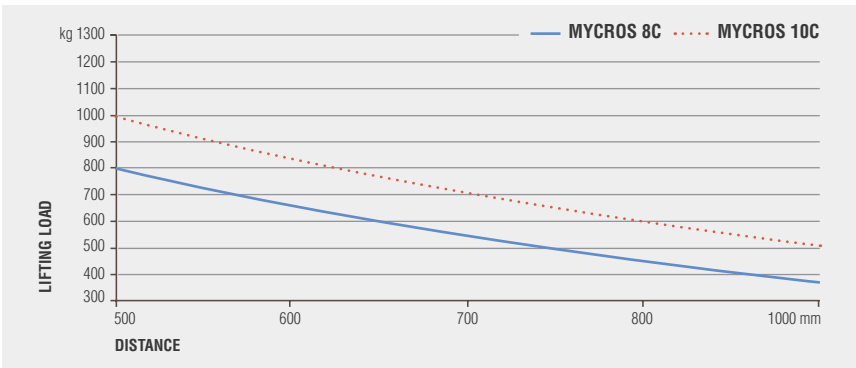


MYCROS 8C-10C RWD / FWD / AWD

- Traction: rear, front or all wheel
- Voltage 36V
- AC traction and pump motors
- Electronic Lift Control
- Cushion tyres
- Power Steering
- Integrated side-shift
- Lift height from 2900mm to 5700mm
- Curve Speed Control (CSC)
- AST 2684 mm

MAST DETAILS MYCROS 8C-10C

HEIGHT		STANDARD INCL. SIDE-SHIFT				DUPLEX INCL. SIDE-SHIFT				TRIPLEX INCL. SIDE-SHIFT		
Lifting	h_{23}	2900	3200	3800	4200	2900	3200	3800	4200	4350	4800	5700
Height mast collapsed	h_1	1940	2092	2392	2592	1940	2092	2392	2592	1940	2092	2392
Height mast extended	h_4	3400	3704	4304	4704	3400	3704	4304	4704	4843	5299	6200
Free lift	h_2	-	-	-	-	1478	1630	1930	2130	1478	1630	1930
Width RWD	b_1	835		899		835		899		930		
Width FWD-AWD	b_1	870				870				960		

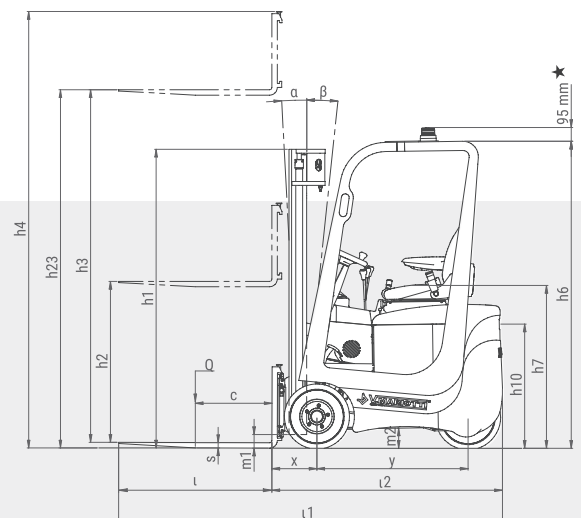
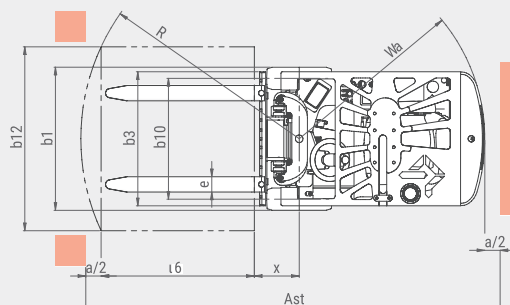


Data shown are not binding and are liable to variations.
The constructor reserves the right of changes without notice.

$a / 2 = 100 \text{ mm}$

★ On demand installation of the strobo light under the height of the overhead guard **h6**

In accordance with VDI Guideline 2198 this specification sheet provides details of the standard truck only. Non-standard tyres, different masts, optional equipment, etc. may result in different values.



	1.1	Manufacturer		V.MARIOTTI S.r.l.			V.MARIOTTI S.r.l.				
	1.2	Model		MYCROS 8C RWD	MYCROS 8C FWD	MYCROS 8C AWD	MYCROS 10C RWD	MYCROS 10C FWD	MYCROS 10C AWD		
CHARACTERISTICS	1.3	Type of drive		electric	electric	electric	electric	electric	electric		
	1.4	Operator type		seated	seated	seated	seated	seated	seated		
	1.5	Load capacity/rated load	Q	kg	800	800	800	1000	1000	1000	
	1.6	Load centre distance	c	mm	500	500	500	500	500	500	
	1.8	Load distance	x	mm	250 ●	250 ●	250 ●	250 ●	250 ●	250 ●	
	1.9	Wheel base min / max (adjustable)	y	mm	876 / 966	876 / 966	876 / 966	876 / 966	876 / 966	876 / 966	
	WEIGHTS	2.1	Service weight incl. battery (see row 6.5)		kg	1830 ■	1960 ■	1980 ■	2050 ■	2250 ■	2270 ■
		2.2	Axle load, with load, front / rear		kg	2250 / 380	2370 / 390	2370 / 410	2640 / 410	2850 / 400	2830 / 440
		2.3	Axle load, without load, front / rear		kg	900 / 930	970 / 990	970 / 1010	950 / 1100	990 / 1260	990 / 1280
WHEELS	3.1	Tyres: Superelastic (SE), Cushion (V)			V	V	V	V	V	V	
	3.2	Tyre size front		mm	343x114x203 □	343x114x203 □	343x114x203 □	343x114x203 □	343x114x203 □	343x114x203 □	
	3.3	Tyre size rear		mm	343x140x203	343x140x203	343x140x203	343x140x203	343x140x203	343x140x203	
	3.5	Wheels, number front/rear (◆ = driven wheels)			2 / 1 ◆	2 ◆ / 1	2 ◆ / 1 ◆	2 / 1 ◆	2 ◆ / 1	2 ◆ / 1 ◆	
	3.6	Track width, front	b ₁₀	mm	721	756	756	721	756	756	
	DIMENSIONS	4.1	Tilt of mast/fork carriage forward/backward	α/β	<°	2° 30' / 6°	2° 30' / 6°	2° 30' / 6°	2° 30' / 6°	2° 30' / 6°	2° 30' / 6°
4.2		Collapsed mast height	h ₁	mm	2092	2092	2092	2092	2092	2092	
4.3		Free lift	h ₂	mm	\	\	\	\	\	\	
4.4		forks lifting	h ₃	mm	3170	3170	3170	3170	3170	3170	
		Lifting height	h ₂₃	mm	3200	3200	3200	3200	3200	3200	
4.5		Height mast extended	h ₄	mm	3704	3704	3704	3704	3704	3704	
4.7		Height of overhead guard	h ₅	mm	1950	1950	1950	1950	1950	1950	
4.8		Seat height	h ₇	mm	950	950	950	950	950	950	
4.12		Coupling height	h ₁₀		725	725	725	725	725	725	
4.19		Overall length	l ₁		2348	2348	2348	2348	2348	2348	
4.20		Length including back of forks	l ₂	mm	1348 ●	1348 ●	1348 ●	1348 ●	1348 ●	1348 ●	
4.21		Overall width	b ₁	mm	835	870	870	835	870	870	
4.22		Fork dimensions	s/e/l	mm	30x80x1000	30x80x1000	30x80x1000	30x80x1000	30x80x1000	30x80x1000	
4.23		Forks carriage ISO 2328, Class/form A, B			ISO II/A	ISO II/A	ISO II/A	ISO II/A	ISO II/A	ISO II/A	
4.24		Forks carriage width	b ₃	mm	830	830	830	830	830	830	
4.31		Floor clearance with load under mast	m ₁	mm	65	65	65	65	65	65	
4.32		Floor clearance centre wheelbase	m ₂	mm	95	95	95	95	95	95	
4.33		Aisle width for pallets 1000 x 1200 sideways	A _{st}	mm	2684	2684	2684	2684	2684	2684	
4.34		Aisle width for pallets 800 x 1200 lengthways	A _{st}	mm	2802	2802	2802	2802	2802	2802	
4.35		Turning radius	W ₃	mm	1098 ▲	1098 ▲	1098 ▲	1098 ▲	1098 ▲	1098 ▲	
PERFORMANCE	5.1	Driving speed with/without load		km/h	7,5 / 7,8	7,8 / 8	7,8 / 8	7,5 / 7,8	7,8 / 8	7,8 / 8	
	5.2	Lifting speed with/without load		m/s	0,30 / 0,38	0,30 / 0,38	0,30 / 0,38	0,29 / 0,38	0,29 / 0,38	0,29 / 0,38	
	5.3	Lowering speed with/without load		m/s	0,34 / 0,26	0,34 / 0,26	0,34 / 0,26	0,35 / 0,26	0,35 / 0,26	0,35 / 0,26	
	5.6	Max. drawbar pull, with/without load		N	1800 / 1950	3000 / 3500	3000 / 3500	1700 / 1850	3000 / 3500	3000 / 3500	
	5.7	Gradeability, with/without load		%	13 / 18	18 / 20	18 / 20	10 / 18	16 / 18	16 / 18	
		Max Gradeability, with/without load		%	20 / 25	22 / 25	22 / 25	18 / 24	20 / 24	20 / 24	
	5.10	Service brake			hydraulic	hydraulic	hydraulic	hydraulic	hydraulic	hydraulic	
ELECTRIC SYSTEM	6.1	Driving motor rating S2 60 min.		kW	3,5	3,5 x 2	3,5 x 3	3,5	3,5 x 2	3,5 x 3	
	6.2	Lifting motor rating at S3 20%		kW	6,5	6,5	6,5	6,5	6,5	6,5	
	6.4	Battery voltage/nominal capacity K5		V/Ah	36/270 - 36/375	36/315 - 36/375	36/315 - 36/375	36/375	36/375	36/375	
	6.5	Battery weight		kg	360 ■ - 460	410 ■ - 460	410 ■ - 460	460 ■	460 ■	460 ■	
OTHER	8.1	Type of drive control			AC MOSFET	AC MOSFET	AC MOSFET	AC MOSFET	AC MOSFET	AC MOSFET	
	8.2	Working pressure for attachments		bar	125	125	125	155	155	155	
	8.4	Sound pressure level at operator's ear		db(A)	-	-	-	-	-	-	

- ▲ with mast in vertical position
- included side-shift
- with triplex mast: 343x140x203

In accordance with VDI Guideline 2198 this specification sheet provides details of the standard truck only. Non-standard tyres, different masts, optional equipment, etc. may result in different values.