

MPX series

2,000kg / 2,500kg / 3,000kg

Low lift pallet truck with
operator platform



SPECIFICATION SHEET

Models: MPX20, MPX25, MPX30

VDI 2198 General Specifications

Distinguishing mark	1.1	Manufacturer (abbreviation)		Yale	Yale	Yale
	1.2	Manufacturer's type designation		MP20X	MP20X Platform with side protection	MP20X Platform with rear protection
	1.3	Drive: electric (battery or mains), diesel, petrol, fuel gas		Electric (battery)	Electric (battery)	Electric (battery)
	1.4	Operator type: hand, pedestrian, standing, seated, order-picker		Pedestrian / Stand-on	Stand-on	Stand-on
	1.5	Rated capacity/Rated load	Q (t)	2.0	2.0	2.0
	1.6	Load centre distance	c (mm)	600	600	600
	1.8	Load distance, centre of drive axle to fork ⁽⁵⁾	x (mm)	1005	1005	1005
	1.9	Wheelbase ^{(4) (5)}	y (mm)	1516	1516	1516
	Weights	2.1	Service weight ^{(2) (4)}	kg	678	822
2.2		Axle loading, laden front/rear ⁽⁴⁾	kg	-	-	-
2.3		Axle loading, unladen front/rear ⁽⁴⁾	kg	-	-	-
Tyres/chassis	3.1	Tyres: polyurethane, tophane, NDIIthane, front/rear		NDIIthane / NDIIthane	NDIIthane / NDIIthane	NDIIthane / NDIIthane
	3.2	Tyre size, front	ø (mm x mm)	254 x 90 ⁽⁶⁾	85 x 94	85 x 94
	3.3	Tyre size, rear	ø (mm x mm)	85 x 94 ⁽⁶⁾	254 x 90	254 x 90
	3.4	Additional wheels (dimensions)	ø (mm x mm)	125 x 50	125 x 50	125 x 50
	3.5	Wheels, number front/rear (x = driven wheels)		1x+2/4 ⁽⁶⁾	4/1x+2	4/1x+2
	3.6	Tread, front	b ₁₀ (mm)	504 ⁽⁶⁾	382	382
	3.7	Tread, rear	b ₁₁ (mm)	382 ⁽⁶⁾	504	504
Dimensions	4.4	Lift	h ₃ (mm)	120	120	120
	4.9	Height drawbar in driving position min./max.	h ₁₄ (mm)	1150 / 1383	-	-
	4.15	Height, lowered ⁽⁷⁾	h ₁₃ (mm)	85	85	85
	4.19	Overall length (pedestrian) ⁽⁴⁾	l ₁ (mm)	1872	-	-
	4.19	Overall length (stand-on) ⁽⁴⁾	l ₁ (mm)	2301	2378	2476
	4.20	Length to face of forks (pedestrian) ⁽⁴⁾	l ₂ (mm)	692	-	-
	4.20	Length to face of forks (stand-on) ⁽⁴⁾	l ₂ (mm)	1125	1198	1296
	4.21	Overall width	b ₁ / b ₂ (mm)	750	750	750
	4.22	Fork dimensions	s/e/l (mm)	170 / 55 / 1180	170 / 55 / 1180	170 / 55 / 1180
	4.25	Distance between fork-arms	b ₅ (mm)	552	552	552
	4.32	Ground clearance, centre of wheelbase	m ₂ (mm)	30	30	30
	4.33	Load dimension b12 x l6 crossways	b12 x l6 (mm)	800 x 1200	800 x 1200	800 x 1200
	4.34.1	Aisle width for pallets 1000mm x 1200mm crossways (pedestrian) ^{(4) (5)}	A _{st} (mm)	2523	-	-
	4.34.1	Aisle width for pallets 1000mm x 1200mm crossways (stand-on) ^{(4) (5)}	A _{st} (mm)	2934	3005	3101
	4.34.2	Aisle width for pallets 800mm x 1200mm lengthwise (pedestrian) ^{(4) (5)}	A _{st} (mm)	2368	-	-
4.34.2	Aisle width for pallets 800mm x 1200mm lengthwise (stand-on) ^{(4) (5)}	A _{st} (mm)	2779	2849	2946	
4.35	Turning radius (pedestrian) ^{(4) (5)}	W _a (mm)	1723	-	-	
4.35	Turning radius (stand-on) ^{(4) (5)}	W _a (mm)	2134	2205	2301	
Performance data	5.1	Travel speed laden/unladen (pedestrian)	km/h	6 / 6	-	-
	5.1	Travel speed laden/unladen (stand-on)	km/h	9.7 / 13	9.7 / 13	9.7 / 13
	5.1.1	Travel speed, laden/unladen, backwards (pedestrian)	km/h	6 / 6	-	-
	5.1.1	Travel speed, laden/unladen, backwards (stand-on)	km/h	9.7 / 13	9.7 / 13	9.7 / 13
	5.2	Lift speed, laden/unladen	m/s	0.05 / 0.06	0.05 / 0.06	0.05 / 0.06
	5.3	Lowering speed, laden/unladen	m/s	0.06 / 0.06	0.06 / 0.06	0.06 / 0.06
	5.7	Gradeability, laden/unladen ⁽¹⁾	%	-	-	-
	5.8	Max. gradeability, laden/unladen ⁽¹⁾	%	11.4 / 20	11.4 / 20	11.4 / 20
	5.10	Service brake		Electromagnetic	Electromagnetic	Electromagnetic
	Electric engine	6.1	Drive motor, S2 60 minute rating	kW	3	3
6.2		Lift motor, S3 15% rating ⁽³⁾	kW	2.2	2.2	2.2
6.3		Battery according to DIN 43531/35/36 A,B,C, no		B	B	B
6.4		Battery voltage/nominal capacity K5 ⁽⁴⁾	(V)/(Ah)	24 / 250 ⁽⁴⁾	24 / 375 ⁽⁴⁾	24 / 375 ⁽⁴⁾
6.5		Battery weight ^{(2) (4)}	kg	212	288	288
6.6		Energy consumption according to VDI cycle	kWh/h at no. of cycles	0.6	0.6	0.6
8.1	Type of drive unit		AC-Controller	AC-Controller	AC-Controller	
10.7	Sound pressure level at the driver's seat	dB (A)	63	63	63	

⁽¹⁾ If truck climbs ramps frequently (within 1h), consult your salesman

⁽²⁾ These values may vary of +/- 5%

⁽³⁾ Value referred to S3 6%

⁽⁴⁾ See "Batteries table"

⁽⁵⁾ With load section lifted: -85mm

⁽⁶⁾ Pedestrian version. For Stand-on version, front/rear are inverted

⁽⁷⁾ Max h13 value shall be 87mm.

All values are nominal values and they are subject to tolerances. For further information, please contact the manufacturer.

Yale	Yale	Yale	Yale	Yale	Yale	Distinguishing mark
MP25X	MP25X Platform with side protection	MP25X Platform with rear protection	MP30X	MP30X Platform with side protection	MP30X Platform with rear protection	
Electric (battery)	Electric (battery)	Electric (battery)	Electric (battery)	Electric (battery)	Electric (battery)	
Pedestrian / Stand-on	Stand-on	Stand-on	Pedestrian / Stand-on	Pedestrian / Stand-on	Stand-on	
2.5	2.5	2.5	3.0	3.0	3.0	
600	600	600	600	600	600	
1005	1005	1005	1005	1005	1005	
1516	1516	1516	1516	1516	1516	
678	822	822	678	822	822	
-	-	-	-	-	-	Weights
-	-	-	-	-	-	
NDIIThane / NDIIThane	NDIIThane / NDIIThane	NDIIThane / NDIIThane	NDIIThane / NDIIThane	NDIIThane / NDIIThane	NDIIThane / NDIIThane	Tyres/chassis
254 x 90 ⁽⁶⁾	85 x 94	85 x 94	254 x 90 ⁽⁶⁾	254 x 90 ⁽⁶⁾	85 x 94	
85 x 94 ⁽⁶⁾	254 x 90	254 x 90	85 x 94 ⁽⁶⁾	85 x 94 ⁽⁶⁾	254 x 90	
125 x 50	125 x 50	125 x 50	125 x 50	125 x 50	125 x 50	
1x+2/4 ⁽⁶⁾	4/1x+2	4/1x+2	1x+2/4 ⁽⁶⁾	1x+2/4 ⁽⁶⁾	4/1x+2	
504 ⁽⁶⁾	382	382	504 ⁽⁶⁾	504 ⁽⁶⁾	382	
382 ⁽⁶⁾	504	504	382 ⁽⁶⁾	382 ⁽⁶⁾	504	
120	120	120	120	120	120	Dimensions
1150 / 1383	-	-	1150 / 1383	-	-	
85	85	85	85	85	85	
1944	-	-	1944	1944	-	
2373	2378	2476	2373	2373	2476	
764	-	-	764	764	-	
1125	1198	1296	1125	1125	1296	
750	750	750	750	750	750	
170 / 55 / 1180	170 / 55 / 1180	170 / 55 / 1180	170 / 55 / 1180	170 / 55 / 1180	170 / 55 / 1180	
552	552	552	552	552	552	
30	30	30	30	30	30	
800 x 1200	800 x 1200	800 x 1200	800 x 1200	800 x 1200	800 x 1200	
2595	-	-	2595	2595	-	
3006	3005	3101	3006	3006	3101	
2440	-	-	2440	2440	-	
2851	2849	2946	2851	2851	2946	
1795	-	-	1795	1795	-	
2206	2205	2301	2206	2206	2301	
6 / 6	-	-	6 / 6	-	-	Performance data
9.7 / 13	9.7 / 13	9.7 / 13	9.1 / 13	9.1 / 13	9.1 / 13	
6 / 6	-	-	6 / 6	-	-	
9.7 / 13	9.7 / 13	9.7 / 13	9.1 / 13	9.1 / 13	9.1 / 13	
0.04 / 0.06	0.04 / 0.06	0.04 / 0.06	0.03 / 0.06	0.03 / 0.06	0.03 / 0.06	
0.06 / 0.06	0.06 / 0.06	0.06 / 0.06	0.06 / 0.06	0.06 / 0.06	0.06 / 0.06	
-	-	-	-	-	-	
9.1 / 20	9.1 / 20	9.1 / 20	7.4 / 20	7.4 / 20	7.4 / 20	
Electromagnetic	Electromagnetic	Electromagnetic	Electromagnetic	Electromagnetic	Electromagnetic	Electric engine
3	3	3	3	3	3	
2.2	2.2	2.2	2.2	2.2	2.2	
B	B	B	B	B	B	
24 / 250 ⁽⁴⁾	24 / 375 ⁽⁴⁾	24 / 375 ⁽⁴⁾	24 / 250 ⁽⁴⁾	24 / 250 ⁽⁴⁾	24 / 375 ⁽⁴⁾	
288	288	288	288	288	288	
0.7	0.7	0.7	0.8	0.8	0.8	
AC-Controller	AC-Controller	AC-Controller	AC-Controller	AC-Controller	AC-Controller	
68	68	68	68	68	68	

Yale products might be subject to change without notice. Lift trucks illustrated may feature optional equipment.

Values may vary with alternative configurations.

MP20X - Battery compartment 200Ah

1.2	Manufacturer's type designation		MP20X	MP20X - Platform with side protection and Scooter Control	MP20X - Platform with rear protection and Scooter Control
1.9	Wheelbase	y (mm)	1382	-	-
2.1	Service weight ⁽¹⁾	kg	-	-	-
2.2	Axle loading, laden front/rear	kg	-	-	-
2.3	Axle loading, unladen front/rear	kg	-	-	-
4.19	Overall length (pedestrian)	l1 (mm)	1810	-	-
4.19	Overall length (stand-on)	l1 (mm)	2243	-	-
4.20	Length to face of forks (pedestrian)	l2 (mm)	630	-	-
4.20	Length to face of forks (stand-on)	l2 (mm)	1063	-	-
4.34.1	Aisle width for pallets 1000mm x 1200mm crossways (pedestrian)	Ast (mm)	2463	-	-
4.34.1	Aisle width for pallets 1000mm x 1200mm crossways (stand-on)	Ast (mm)	2873	-	-
4.34.2	Aisle width for pallets 800mm x 1200mm lengthwise (pedestrian)	Ast (mm)	2308	-	-
4.35.2	Aisle width for pallets 800mm x 1200mm lengthwise (stand-on)	Ast (mm)	2718	-	-
4.35	Turning radius (pedestrian)	Wa (mm)	1663	-	-
4.35	Turning radius (stand-on)	Wa (mm)	2073	-	-
6.3	Battery according to DIN 43531/35/36 A,B,C, no		no	-	-
6.4	Battery voltage/nominal capacity K5	(V)/(Ah)	24 / 200	-	-
6.5	Battery weight ⁽¹⁾	kg	185	-	-

Not available on side and rear protection models

MP20X - Battery compartment 250Ah

1.2	Manufacturer's type designation		MP20X FBW	MP20X FBW - Platform with side protection and Scooter Control	MP20X FBW - Platform with rear protection and Scooter Control
1.9	Wheelbase	y (mm)	1444	-	-
2.1	Service weight ⁽¹⁾	kg	-	-	-
2.2	Axle loading, laden front/rear	kg	-	-	-
2.3	Axle loading, unladen front/rear	kg	-	-	-
4.19	Overall length (pedestrian)	l1 (mm)	1872	-	-
4.19	Overall length (stand-on)	l1 (mm)	2305	-	-
4.20	Length to face of forks (pedestrian)	l2 (mm)	692	-	-
4.20	Length to face of forks (stand-on)	l2 (mm)	1125	-	-
4.34.1	Aisle width for pallets 1000mm x 1200mm crossways (pedestrian)	Ast (mm)	2524	-	-
4.34.1	Aisle width for pallets 1000mm x 1200mm crossways (stand-on)	Ast (mm)	2935	-	-
4.34.2	Aisle width for pallets 800mm x 1200mm lengthwise (pedestrian)	Ast (mm)	2369	-	-
4.35.2	Aisle width for pallets 800mm x 1200mm lengthwise (stand-on)	Ast (mm)	2780	-	-
4.35	Turning radius (pedestrian)	Wa (mm)	1724	-	-
4.35	Turning radius (stand-on)	Wa (mm)	2135	-	-
6.3	Battery according to DIN 43531/35/36 A,B,C, no		B	-	-
6.4	Battery voltage/nominal capacity K5	(V)/(Ah)	24 / 375 ⁽²⁾	-	-
6.5	Battery weight ⁽¹⁾	kg	288	-	-

Not available on side and rear protection models

MP20X - Battery compartment 500Ah

1.2	Manufacturer's type designation		MP20X FBW	MP20X FBW - Platform with side protection and Scooter Control	MP20X FBW - Platform with rear protection and Scooter Control
1.9	Wheelbase	y (mm)	1588	1588	1588
2.1	Service weight ⁽¹⁾	kg	-	-	-
2.2	Axle loading, laden front/rear	kg	-	-	-
2.3	Axle loading, unladen front/rear	kg	-	-	-
4.19	Overall length (pedestrian)	l1 (mm)	2016	-	-
4.19	Overall length (stand-on)	l1 (mm)	2449	2450	2548
4.20	Length to face of forks (pedestrian)	l2 (mm)	836	-	-
4.20	Length to face of forks (stand-on)	l2 (mm)	1269	1270	1368
4.34.1	Aisle width for pallets 1000mm x 1200mm crossways (pedestrian)	Ast (mm)	2666	-	-
4.34.1	Aisle width for pallets 1000mm x 1200mm crossways (stand-on)	Ast (mm)	3078	3077	3173
4.34.2	Aisle width for pallets 800mm x 1200mm lengthwise (pedestrian)	Ast (mm)	2511	-	-
4.35.2	Aisle width for pallets 800mm x 1200mm lengthwise (stand-on)	Ast (mm)	2923	2922	3018
4.35	Turning radius (pedestrian)	Wa (mm)	1866	-	-
4.35	Turning radius (stand-on)	Wa (mm)	2278	2277	2373
6.3	Battery according to DIN 43531/35/36 A,B,C, no		B	B	B
6.4	Battery voltage/nominal capacity K5	(V)/(Ah)	24 / 500	24 / 500	24 / 500
6.5	Battery weight ⁽¹⁾	kg	370	370	370

⁽¹⁾ These values may vary of +/- 5%

⁽²⁾ Available battery 210/250Ah (212 kg); 24V / 200Ah Li-Ion (211 kg)

⁽³⁾ Stand-on version. For Pedestrian version, front/rear are inverted.

All values are nominal values and they are subject to tolerances. For further

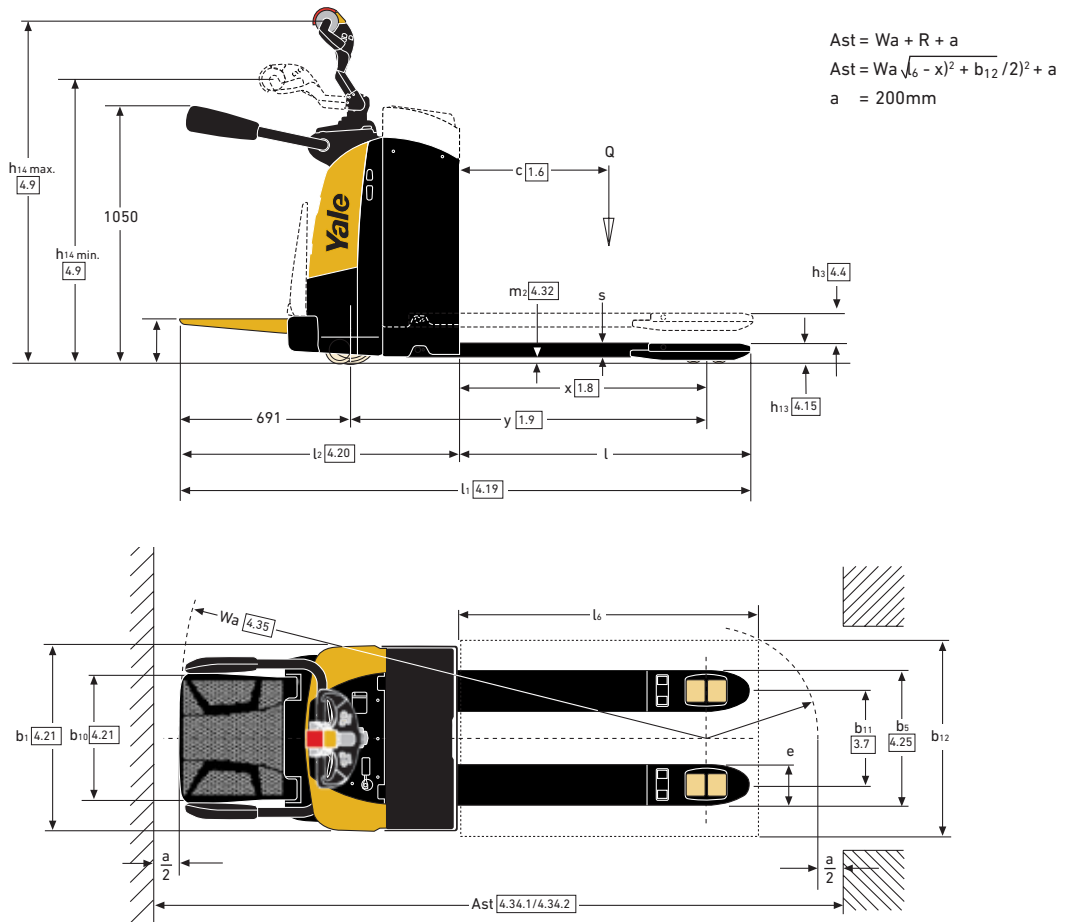
information, please contact the manufacturer.

Yale products might be subject to change without notice.

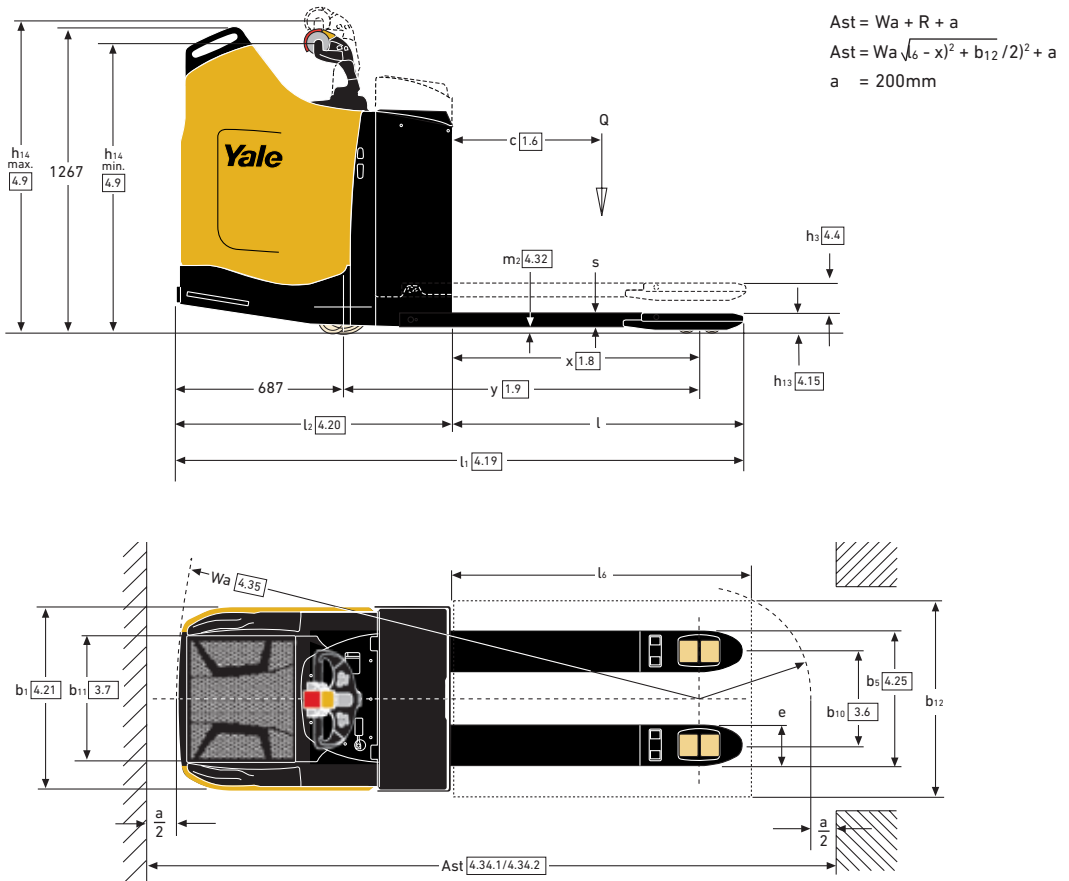
Lift trucks illustrated may feature optional equipment.

Values may vary with alternative configurations.

Truck Dimensions - Platform



Truck Dimensions - Side protection

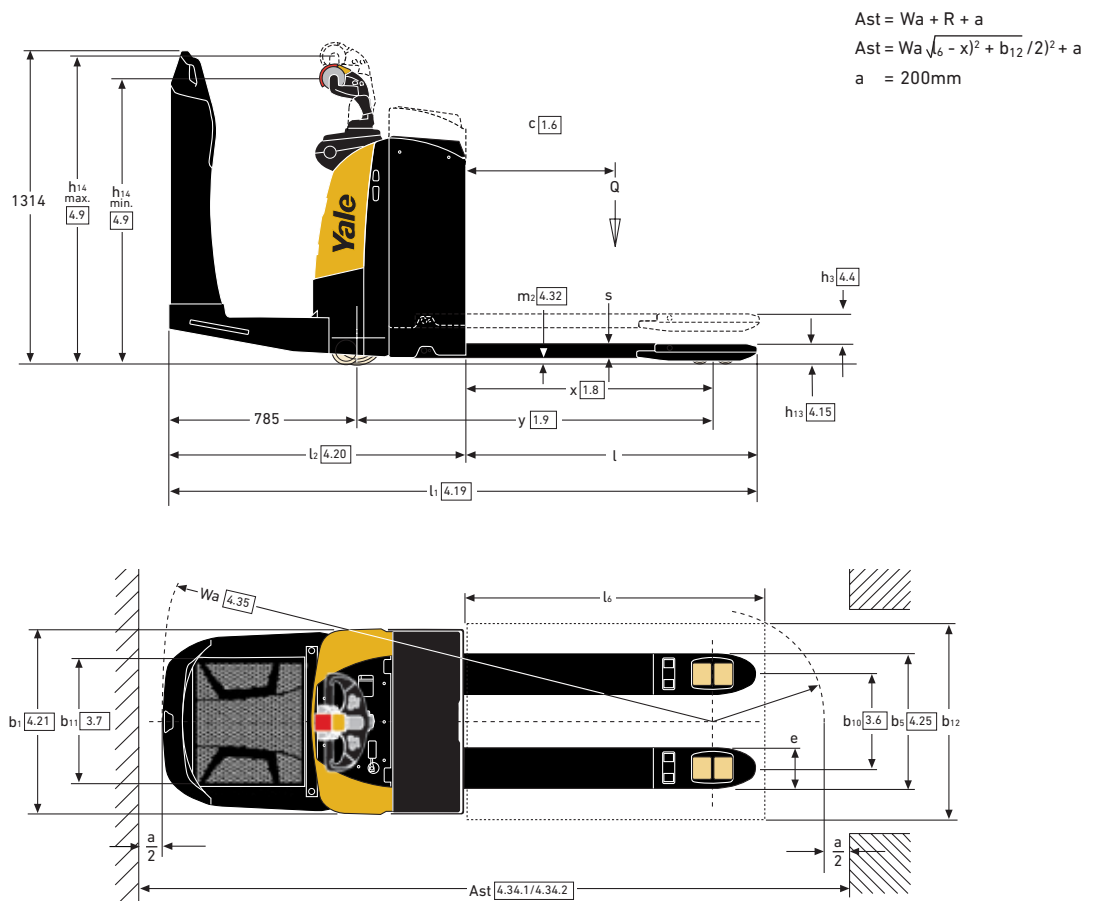


Battery / Forks table - Side Protection

Battery Ah	l mm	x ⁽¹⁾ mm	y ⁽²⁾ mm	l ₁ ped. mm	l ₁ plat. mm	l ₂ ped. mm	l ₂ plat. mm	l ₆ mm	b ₁₂ mm	R mm	W _a ped. mm ⁽¹⁾	W _a plat. mm ⁽¹⁾	a mm	A _{st} ped. mm ⁽¹⁾	A _{st} plat. mm ⁽¹⁾
375	1180	938	1516	2378	NA	NA	1198	1200	800	478	NA	2138	200	NA	2816
500	1180	938	1588	2378	NA	NA	1198	1200	800	478	NA	2210	200	NA	2888
375	1180	938	1516	2378	NA	NA	1198	1200	1000	564	NA	2138	200	NA	2902
500	1180	938	1588	2450	NA	NA	1270	1200	1000	564	NA	2210	200	NA	2974
375	990	748	1326	2188	NA	NA	1198	1200	1200	651	NA	1949	200	NA	2800
500	990	748	1398	2188	NA	NA	1198	1200	1200	651	NA	2021	200	NA	2872
375	1590	1348	1926	2788	NA	NA	1198	1200	1200	651	NA	2546	200	NA	3397
500	1590	1348	1998	2788	NA	NA	1198	1200	1200	651	NA	2618	200	NA	3469
375	1980	1298	1876	3178	NA	NA	1198	1000	1200	923	NA	2496	200	NA	3619
500	1980	1298	1948	3178	NA	NA	1198	1000	1200	923	NA	2568	200	NA	3691
375	2390	1348	1926	3588	NA	NA	1198	1000	800	1125	NA	2546	200	NA	3871
500	2390	1348	1998	3588	NA	NA	1198	1600	800	1125	NA	2618	200	NA	3943
375	2390	1348	1926	3588	NA	NA	1198	1600	1200	1211	NA	2546	200	NA	3957
500	2390	1348	1998	3660	NA	NA	1270	1600	1200	1211	NA	2618	200	NA	4029
375	2390	1561	2139	3588	NA	NA	1198	2000	1000	977	NA	2759	200	NA	3936
500	2390	1561	2211	3588	NA	NA	1198	2000	1000	977	NA	2831	200	NA	4008
375	2390	1775	2353	3588	NA	NA	1198	2000	800	742	NA	2973	200	NA	3915
500	2390	1775	2425	3588	NA	NA	1198	2400	800	742	NA	3045	200	NA	3987
375	2390	1775	2353	3588	NA	NA	1198	2400	1000	800	NA	2973	200	NA	3973
500	2390	1775	2425	3660	NA	NA	1270	2400	1000	800	NA	3045	200	NA	4045
375	2390	1775	2353	3588	NA	NA	1198	2400	1200	866	NA	2973	200	NA	4039
500	2390	1775	2425	3660	NA	NA	1270	2400	1200	866	NA	3045	200	NA	4111
375	2390	2148	2726	3588	NA	NA	1198	2400	800	473	NA	3346	200	NA	4019
500	2390	2148	2798	3588	NA	NA	1198	2400	800	473	NA	3418	200	NA	4091
375	2390	2148	2726	3588	NA	NA	1198	2400	1000	560	NA	3346	200	NA	4106
500	2390	2148	2798	3660	NA	NA	1270	2400	1000	560	NA	3418	200	NA	4178
375	2390	2148	2726	3588	NA	NA	1198	2400	1200	651	NA	3346	200	NA	4197
500	2390	2148	2798	3660	NA	NA	1270	2400	1200	651	NA	3418	200	NA	4269
375	2850	2275	2853	4048	NA	NA	1198	2400	1200	941	NA	3473	200	NA	4614
500	2850	2275	2925	4048	NA	NA	1198	2400	1200	941	NA	3545	200	NA	4686

⁽¹⁾ With stand-on version +439mm. ⁽²⁾ All weights are: forks + tie rods.

Truck Dimensions - Back protection



MPX series

Models: MP20X, MP25X, MP30X,



Tiller head and controls

The tiller head has an ergonomic shaped handle with integral hand guard, spring assisted to return automatically to the vertical position.

Large, low effort butterfly buttons control travel direction, speed and electromagnetic brake. Dual lift and lower buttons for left or right hand and horn activation. Creep speed control allows the truck to be operated with the tiller arm vertical, at reduced speed for manoeuvring in tight spaces.

The Scooter Control steering is height adjustable and standard on all models. By keeping the operator within the footprint of the truck and close to the truck frame, it increases operator protection and fork tip visibility is excellent. An optional adjustable tiller is available on the foldable platform version.

Instrumentation

The dashboard features a multi-function display showing truck status and warnings, including a battery discharge indicator, hourmeter and performance levels.

Operator platform

The large operator platform allows the operator to find their own comfortable driving position; the foldable side arms are high relative to the level of the platform, providing the operator with maximum comfort and stability when manoeuvring.

The cushioned platform performs an operator presence switch function (or "man on board" sensor), preventing the truck from operating with no driver present. Optional rear access and side access for MP20X models, fixed protection types are available, suitable for shuttle activity over medium to long distances. The dashboard has compartments for stationery and other small items with an optional A4 document holder.

Electric Fly-by-Wire Steering System (MP20X)

Minimum effort is required to manoeuvre

the truck so the operator can work with less effort and arm movement, reducing fatigue and increasing productivity.

Chassis and forks

The 750mm width (MP20XV = 716mm) allows the handling of loads in tight spaces, such as inside containers or on lorry trailers. An optional lateral battery change is available. The forks have a low profile of 55mm to assist picking up of low entry loads with a 130mm lift.

Proportional buttons control lifting and lowering. Heavy-duty tandem load wheels with grease points and sealed bearings are fitted as standard.

Battery

A full range of power options is provided by the choice of batteries. For MP20XV models in range from 210Ah to 375 Ah, for MP20X models in range from 200Ah to 500Ah.

Rollers and wheels

Rollers and wheels are NDIIthane. Tandem load wheels are fitted as standard it vary depending on series.

A single wheel, with smaller carrying capacity, and tandem or individual twin wheels are optional.

Electric motors

The motor requires very little maintenance (inspection intervals required every 1000 operating hours) provides low cost long operative life.

Hydraulic unit

The silent, powerful hydraulic pump, activated by the electric motor, is of double gear type. The transparent tank facilitates checking of the hydraulic oil level. Lowering is controlled by a solenoid valve activated by the tiller pushbuttons.

Electronic controls

High energy efficiency and motor performance allow considerable hourly usage in operation, reducing battery charging. The combined characteristics of the traction motor and the control panel enhance efficiency of release and

inversion braking, without reduction of autonomy, leaving the electromagnetic brake for parking and emergencies only.

Electronic parameters are easily customised by a service.

Options

Options available include:

- Two fork heights
- Li-Ion ready
- Li-Ion battery side charging
- Drive mode selection to suit different operators' skills
- Coasting function
- Smart lift
- Platform lights
- Soft lowering
- Foot sensor
- Cold store -30°C
- Forks of varying length and width
- Fixed side protection with rear access
- Fixed rear protection with side access
- Load backrest
- Lateral battery extraction
- Roller-bed changeover for battery change
- Height adjustable tiller
- Working light package
- Pedestrian awareness lights.

Yale Europe Materials Handling

Centennial House, Frimley Business Park,
Frimley, Surrey GU16 7SG
United Kingdom

Tel: +44 (0) 1276 538500

Fax: +44 (0) 1276 538559

www.yale.com



Publication part no. 220990153 Rev.09x Printed in The Netherlands (0221) EN.

HYSTER-YALE UK LIMITED trading as Yale Europe Materials Handling.

Safety: This truck conforms to the current EU requirements.

Specification is subject to change without notice.

©2021 Yale. All rights reserved. YALE, and PEOPLE. PRODUCTS. PRODUCTIVITY. are trademarks of

Hyster-Yale Group, Inc. is a registered copyright of Hyster-Yale Group, Inc.

Trucks shown with optional equipment. Country of Registration: England and Wales.

Company Registration Number: 02636775.