

VG series

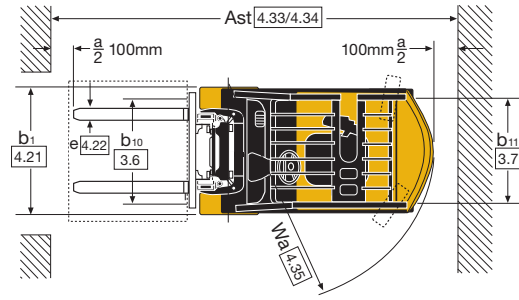
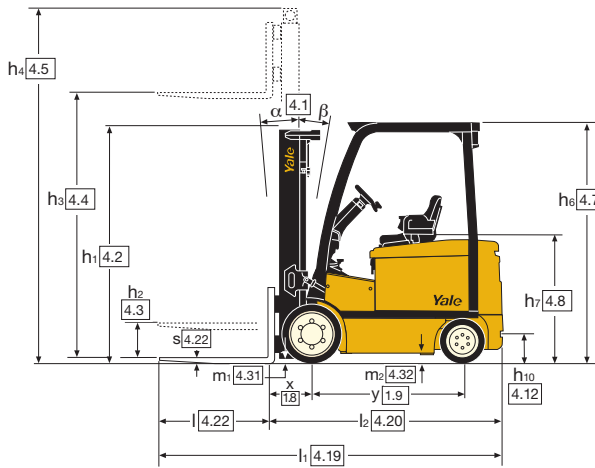
2,200kg / 2,500kg / 3,000kg /
3,200kg / 3,500kg

Compact Electric Forklift Trucks



- New high Visibility Masts and optional Side Shifting Fork Positioner
- YaleStop automatic park brake eliminates uncontrolled roll-back on ramps
- Password protected eLo and HiP performance settings
- CANbus technology
- High-performance AC motor technology
- Continuous Stability Enhancement

Truck Dimensions



ERC22 VG SWB/MWB mast details and capacity ratings (kg) - Cushion tyres

Model		ERC 22 VG SWB						ERC 22 VG MWB										
Tyre size, front		21x7x15						21x7x15										
Overall width, front		1070mm						1070mm										
Mast	h ₁ (mm)	h _{2+s} (mm)	h _{3+s} (mm)	h ₄ (mm)	Tilt		Forks			ISS & FP			Forks			ISS & FP		
					F	B	Load centre (kg)			Load centre (kg)			Load centre (kg)			Load centre (kg)		
							500	600	700	500	600	700	500	600	700	500	600	700
2 Stage LFL	2235	140	3492	4049 ⁽¹⁾	5	5	2200	2030	1840	2160	1950	1770	2200	2030	1840	2160	1950	1770
	2635	140	4132	4689 ⁽¹⁾	5	5	2200	2020	1830	2150	1940	1760	2200	2020	1830	2150	1940	1760
	2985	140	4832	5389 ⁽¹⁾	5	5	2120	1940	1760	2070	1860	1700	2130	1950	1770	2070	1870	1700
2 Stage FFL	2235	1678 ⁽²⁾	3502	4059 ⁽¹⁾	5	5	2200	2030	1840	2160	1950	1770	2200	2030	1840	2160	1950	1770
	2235	1696 ⁽⁴⁾	5100	5639 ⁽³⁾	5	5	2080	1900	1720	2020	1820	1660	2080	1900	1730	2030	1830	1660
3 Stage FFL	2385	1846 ⁽⁴⁾	5550	6089 ⁽³⁾	5	5	2000	1820	1650	1940	1750	1590	2010	1830	1660	1950	1750	1600
	2585	2046 ⁽⁴⁾	6000	6539 ⁽³⁾	5	5	1920	1740	1580	1850	1670	1520	1930	1750	1580	1860	1680	1520

ERC25 VG SWB/MWB mast details and capacity ratings (kg) - Cushion tyres

Model		ERC 25 VG SWB						ERC 22 VG MWB										
Tyre size, front		21x7x15						21x7x15										
Overall width, front		1070mm						1070mm										
Mast	h ₁ (mm)	h _{2+s} (mm)	h _{3+s} (mm)	h ₄ (mm)	Tilt		Forks			ISS & FP			Forks			ISS & FP		
					F	B	Load centre (kg)			Load centre (kg)			Load centre (kg)			Load centre (kg)		
							500	600	700	500	600	700	500	600	700	500	600	700
2 Stage LFL	2235	140	3492	4049 ⁽¹⁾	5	5	2500	2300	2090	2450	2210	2010	500	2300	2090	2450	2210	2010
	2635	140	4132	4689 ⁽¹⁾	5	5	2500	2290	2080	2440	2200	2000	2500	2290	2080	2440	2200	2000
	2985	140	4832	5389 ⁽¹⁾	5	5	2420	2210	2000	2350	2120	1930	2420	2210	2000	2350	2120	1930
2 Stage FFL	2235	1678 ⁽²⁾	3502	4059 ⁽¹⁾	5	5	2500	2300	2090	2450	2210	2010	2500	2300	2090	2450	2210	2010
	2235	1696 ⁽⁴⁾	5100	5639 ⁽³⁾	5	5	2370	2160	1960	2300	2080	1890	2370	2160	1960	2300	2070	1890
3 Stage FFL	2385	1846 ⁽⁴⁾	5550	6089 ⁽³⁾	5	5	2290	2080	1890	2220	2000	1820	2280	2080	1880	2210	1990	1810
	2585	2046 ⁽⁴⁾	6000	6539 ⁽³⁾	5	5	2220*	1990*	1800*	2120*	1910*	1740*	2190	1980	1800	2110	1900	1730

ERC30 VG MWB, 32 VG LWB, 35 VG LWB mast details and capacity ratings (kg) - Cushion tyres

Model		ERC 30 VG MWB						ERC 32 VG LWB						ERC 35 VG LWB										
Tyre size, front		21x8x15						21x8x15						21x9x15										
Overall width, front		1108mm						1108mm						1158mm										
Mast	h ₁ (mm)	h _{2+s} (mm)	h _{3+s} (mm)	h ₄ (mm)	Tilt		Forks			ISS & FP			Forks			ISS & FP								
					F	B	Load centre (kg)			Load centre (kg)			Load centre (kg)			Load centre (kg)								
							500	600	700	500	600	700	500	600	700	500	600	700						
2 Stage LFL	2235	150	3309	3954 ⁽⁵⁾	5	5	3000	2760	2510	2930	2640	2410	3200	2940	2670	3120	2810	2560	3500	3210	2920	3410	3070	2800
	2535	150	3709	4354 ⁽⁵⁾	5	5	3000	2760	2500	2920	2640	2400	3200	2940	2670	3110	2810	2560	3500	3210	2910	3400	3070	2800
	2785	150	4209	4854 ⁽⁵⁾	5	5	3000	2750	2490	2910	2630	2390	3200	2930	2660	3100	2800	2550	3500	3200	2900	3390	3060	2790
2 Stage FFL	2235	1590 ⁽⁶⁾	3310	3955 ⁽⁵⁾	5	5	3000	2760	2510	2630	2640	2410	3200	2940	2670	3120	2810	2560	3500	3210	2920	3410	3070	2800
	2235	1608 ⁽⁸⁾	4768	5395 ⁽⁷⁾	5	5	2890	2650	2410	2800	2530	2310	3090	2820	2570	2990	2700	2460	3390	3090	2810	3280	2960	2700
3 Stage FFL	2385	1758 ⁽⁸⁾	5218	5845 ⁽⁷⁾	5	5	2810	2560	2330	2710	2450	2230	3000	2740	2490	2900	2620	2390	3290	3000	2720	3180	2870	2620
	2735	2108 ⁽⁸⁾	5968	6595 ⁽⁷⁾	5	5	2650*	2400*	2180*	2540*	2300*	2090*	2840*	2570*	2340*	2720*	2460*	2240*	3120*	2830*	2570*	3000*	2710*	2470*

* Wide tread wheels/tyres must be specified.

⁽⁴⁾ Deduct 684mm with load backrest extension.

⁽⁸⁾ Deduct 601mm with load backrest extension.

Yale products might be subject to change without notice. Lift trucks illustrated may feature optional equipment. Values may vary with alternative configurations.

⁽¹⁾ Add 666mm with load backrest extension.

⁽⁵⁾ Add 583mm with load backrest extension.

All values are nominal values and they are subject to tolerances. For further information, please contact the manufacturer.

⁽²⁾ Deduct 666mm with load backrest extension.

⁽⁶⁾ Deduct 583mm with load backrest extension.

⁽³⁾ Add 684mm with load backrest extension.

⁽⁷⁾ Add 601mm with load backrest extension.

VDI 2198 – General Specifications

Distinguishing mark	Yale									
	1.1	1.2	1.3	1.4	1.5	1.6	1.8	1.9		
1.1	Manufacturer (abbreviation)		Yale	Yale	Yale	Yale	Yale	Yale	Yale	
1.2	Manufacturer's type designation		ERC2VG22 SWB	ERC22VG MWB	ERC25VG SWB	ERC25VG MWB	ERC30VG MWB	ERC32VG LWB	ERC35VG LWB	
1.3	Drive: electric (battery or mains), diesel, petrol, fuel gas		Electric (battery)	Electric (battery)	Electric (battery)	Electric (battery)	Electric (battery)	Electric (battery)	Electric (battery)	
1.4	Operator type: hand, pedestrian, standing, seated, order-picker		Seated	Seated	Seated	Seated	Seated	Seated	Seated	
1.5	Rated capacity/rated load	Q (t)	2.2	2.2	2.5	2.5	3.0	3.2	3.5	
1.6	Load centre distance	c (mm)	500	500	500	500	500	500	500	
1.8	Load distance, centre of drive axle to fork	x (mm)	390	390	390	390	402	402	402	
1.9	Wheelbase	y (mm)	1230	1377	1230	1377	1377	1545	1545	
Weights	2.1	Service weight *	kg	4530	4650	4710	4650	5090	5180	5390
	2.2	Axle loading, laden front/rear *	kg	5574 / 1150	5601 / 1234	6041 / 1168	6098 / 1043	6963 / 1126	7271 / 1108	7722 / 1166
	2.3	Axle loading, unladen front/rear *	kg	1809 / 2715	2009 / 2632	1762 / 2947	2009 / 2632	2031 / 3059	2233 / 2946	2212 / 3176
Tyres/chassis	3.1	Tyres: P=pneumatic, V=cushion, SE=superelastic		V	V	V	V	V	V	V
	3.2	Tyre size, front		21 x 8 x 15	21 x 8 x 15	21 x 8 x 15	21 x 8 x 15	21 x 8 x 15	21 x 8 x 15	21 x 9 x 15
	3.3	Tyre size, rear		16 x 6 x 10.5	16 x 6 x 10.5	16 x 6 x 10.5	16 x 6 x 10.5	16 x 6 x 10.5	16 x 6 x 10.5	16 x 7 x 10.5
	3.5	Wheels, number front/rear (x = driven wheels)		2X / 2	2X / 2	2X / 2	2X / 2	2X / 2	2X / 2	2X / 2
	3.6	Tread, front	b ₁₀ (mm)	905 / 1039	905 / 1039	905 / 1039	905 / 1039	905 / 1039	905 / 1039	929 / 1013
	3.7	Tread, rear	b ₁₁ (mm)	940	940	940	940	940	915	915
	Dimensions	4.1	Tilt of mast/fork carriage forward/backward	α / β (°)	5 / 5	5 / 5	5 / 5	5 / 5	5 / 5	5 / 5
4.2		Height, mast lowered	h ₁ (mm)	2235	2235	2235	2235	2235	2235	2235
4.3		Free lift ▼	h ₂ (mm)	100	100	100	100	100	100	100
4.4		Lift ▼	h ₃ (mm)	3452	3452	3452	3452	3259	3259	3259
4.5		Height, mast extended +	h ₄ (mm)	4049	4049	4049	4049	3954	3954	3954
4.7		Height of overhead guard (cabin) ○	h ₆ (mm)	2248	2248	2248	2248	2248	2248	2248
4.7.1		Cab height (open cab)		2286	2286	2286	2286	2286	2286	2286
4.8		Seat height relating to SIP/stand height ✕	h ₇ (mm)	1217	1217	1217	1217	1217	1217	1217
4.12		Coupling height	h ₁₀ (mm)	280	280	280	280	280	280	280
4.19		Overall length	l ₁ (mm)	3016	3040	3040	3143	3199	3343	3367
4.20		Length to face of forks □	l ₂ (mm)	2016	2040	2040	2143	2199	2343	2367
4.21		Overall width	b ₁ /b ₂ (mm)	1070 / 1242	1070 / 1242	1070 / 1242	1070 / 1242	1108 / 1242	1108 / 1242	1158 / 1242
4.22		Fork dimensions DIN ISO 2331	s/e/l (mm)	100 / 40 / 1000	100 / 40 / 1000	100 / 40 / 1000	100 / 40 / 1000	125 / 50 / 1000	125 / 50 / 1000	125 / 50 / 1000
4.23		Fork carriage ISO 2328, class/type A, B		2A	2A	2A	2A	3A	3A	3A
4.24		Fork carriage width ●	b ₃ (mm)	977	977	977	977	977	977	977
4.31		Ground clearance, laden, below mast	m ₁ (mm)	85	85	85	85	85	85	85
4.32		Ground clearance, centre of wheelbase	m ₂ (mm)	92	92	92	92	92	92	92
4.33		Load dimension b ₁₂ × l ₆ crossways	b ₁₂ × l ₆ (mm)	1200 x 1000	1200 x 1000	1200 x 1000	1200 x 1000	1200 x 1000	1200 x 1000	1200 x 1000
4.34		Aisle width predetermined load dimensions	A _{st} (mm)	3329	3475	3351	3475	3518	3676	3696
4.34.1		Aisle width with pallets 1 000 x 1 200 wide	A _{st} (mm)	3329	3475	3351	3475	3518	3676	3696
4.34.2	Aisle width with pallets 800 x 1 200 long	A _{st} (mm)	3525	3674	3547	3674	3717	3876	3896	
4.35	Turning radius	W _a (mm)	1735	1884	1757	1884	1915	2074	2094	
4.36	Internal turning radius	b ₁₃ (mm)	501	501	501	561	561	630	630	
4.41	90° intersecting aisle (With pallet W = 1200mm, L = 1000mm)	(mm)	1774	1824	1781	1824	1853	1931	1941	
4.42	Step Height (from ground to running board)	(mm)	772	772	772	772	772	772	772	
4.43	Step Height	(mm)	475	475	475	475	475	475	475	
Performance data	5.1	Travel speed, laden/unladen ▶	km/h	19.8 / 19.7	19.8 / 19.7	19.8 / 19.7	19.9 / 19.7	19.4 / 19.7	19.0 / 19.7	19.1 / 19.7
	5.2	Lift speed, laden/unladen	m/s	0.52 / 0.72	0.52 / 0.72	0.52 / 0.72	0.49 / 0.72	0.42 / 0.63	0.40 / 0.63	0.37 / 0.63
	5.3	Lowering speed, laden/unladen	m/s	0.57 / 0.51	0.57 / 0.51	0.57 / 0.51	0.57 / 0.51	0.56 / 0.46	0.57 / 0.46	0.58 / 0.46
	5.5	Drawbar pull, laden/unladen **	N	13460 / 14271	13460 / 14271	13315 / 14271	13315 / 14271	12953 / 14150	12837 / 14129	12643 / 14078
	5.6	Max. drawbar pull, laden/unladen ***	N	22100 / 16785	22100 / 16785	21914 / 16785	21914 / 16785	21485 / 17272	21342 / 18165	21108 / 18651
	5.7	Gradeability, laden/unladen ****	%	20 / 32	20 / 32	19 / 32	19 / 32	16 / 29	16 / 28	14 / 27
	5.8	Max. gradeability, laden/unladen ***	%	34 / 39	34 / 39	33 / 39	33 / 39	28 / 36	26 / 37	25 / 37
	5.9	Acceleration time, laden/unladen ▶	s	4.9 / 4.9	4.9 / 4.9	4.9 / 4.9	4.9 / 4.9	4.9 / 4.9	4.9 / 4.9	4.9 / 4.9
	5.10	Service brake		Hydraulic	Hydraulic	Hydraulic	Hydraulic	Hydraulic	Hydraulic	Hydraulic
	Electric-engine	6.1	Drive motor rating S2 60 min	kW	23.6	23.6	23.6	23.6	23.6	23.6
6.2		Lift motor rating at S3 15%	kW	24.0	24.0	24.0	24.0	24.0	24.0	24.0
6.3		Battery according to DIN 43531/35/36 A, B, C, no		No	No	No	No	No	No	No
6.4		Battery voltage/nominal capacity K5	(V)/(Ah)	80 / 375	80 / 450	80 / 375	80 / 450	80 / 450	80 / 600	80 / 600
6.5		Battery weight (min./max)	kg	1050 / 1500	1320 / 1770	1050 / 1500	1320 / 1770	1320 / 1770	1550 / 2000	1550 / 2000
6.6		Energy consumption according to VDI cycle	kWh/h @Nr of Cycles	6.31	6.31	6.31	6.31	6.70	7.89	8.58
6.1		Drive control		AC Electronic	AC Electronic	AC Electronic	AC Electronic	AC Electronic	AC Electronic	AC Electronic
Addition data	10.1	Operating pressure for attachments	bar	155	155	155	155	155	155	155
	10.2	Oil volume for attachments ❖	l/min	20-40	20-40	20-40	20-40	20-40	20-40	20-40
	10.3	Hydraulic oil tank, capacity	l	29.7	29.7	29.7	29.7	29.7	29.7	29.7
	10.7	Sound pressure level at the driver's seat ★	dB(A)	67	67	67	67	67	67	67
	10.8	Towing coupling, type DIN		Pin	Pin	Pin	Pin	Pin	Pin	Pin

* Max. battery
 ✕ Full suspension in compressed condition, add 40mm for nominal position
 ❖ Maximum flow set through dash display
 ▶ eLo performance setting
 ★ LPaZ, measured according to the test cycles and based on the weighting values contained in EN12053
 □ With sideshift carriage add 38mm for 22VG SWB, 37mm for 22VG MWB-25VG, 31mm for 30VG-32VG, 30mm for 35VG
Specification sheet truck based on: Standard seat and overhead guard with standard carriage and 1000mm forks with extended shift on. 2 stage LFL mast :- ERC22-25VG 3490mm, ERC30-35VG 3305mm.

VG series

Models: 22VG SWB, 25VG MWB, 30VG MWB, 32VG LWB, 35VG LWB



Compact Electric Forklift trucks with smaller footprint and greater manoeuvrability provide more capacity and greater storage density.

AC Technology

AC technology Class H traction motors with transistor controller suitable for the most arduous applications. Smooth forward and reverse directional changes provide seamless driving action.

Brakes

The automatic park brake is applied when the truck stops and is de-activated once the accelerator pedal is pressed, providing increased controllability in ramp applications.

Steering

The AC motor drives a pump providing oil pressure for all the hydraulic functions including steering. The adjustable steering column is mounted on the truck's cowl providing unrestricted floor space. The maintenance free Continuous Stability Enhancement system (CSE) optimizes steer axle geometry to reduce truck lean by limiting articulation. Transmission of shocks and vibrations to the operator and load when travelling over uneven ground conditions are reduced.

Performance modes

The 'eLo' energy saving setting provides energy efficient performance for continuous operation over longer periods, increasing the time between battery charges. A 'HiP' high performance setting can be activated if more demanding application conditions and higher productivity are required. Truck performance can be further tailored via the 'heads up' display. Application requirements or operator preferences can be set by selecting one of the 4 performance modes, further adjustable by trained service technicians.

Ergonomics

The operator is positioned ergonomically for safety, comfort, visibility and ease of operation. Whole Body Vibration (WBV)

transmitted to the operator is reduced by the full suspension seat, providing a comfortable working environment, reducing fatigue and increasing productivity.

A low intermediate anti-slip step, clear footwell and generous floorspace with non-slip rubber floor mat provide easy 'on' and 'off' access from both sides. Front and rear (with horn) operator grab handles aid entry and driving in reverse.

Contoured manual levers are standard. A 'Forward/Reverse' direction switch is integrated into the hoist lever with an emergency stop button and horn located in the manual lever console.

AccuTouch™ mini-lever module (MLM)

The AccuTouch™ mini-lever module (MLM) provides intuitive operation of all control functions with a cushioned arm and palm rest and mini levers for fingertip control. Travel direction is displayed on the 'heads up' display.

'Return to set tilt' and '4th function with clamp' options are integrated into the MLM, alleviating operator fatigue when aligning forks for load drop and retrieval.

The 'heads up display', located on the overhead guard, improves the operators field of vision for more productive load handling. Truck status and critical functions to be easily checked, including:

- Battery charge condition
- Hours worked
- Direction of travel
- Steer wheels position
- Performance setting
- Motor temperature
- Low brake fluid
- Seat belt reminder
- Time

The dashboard has storage space including a clipboard holder as well as light switches and an optional 12V socket

Masts

A full range of Yale Hi-Vis, 2 stage LFL

and 2 and 3 stage FFL masts are available, designed for durability and reliability with widely spaced channels, lift chains and main lift cylinders for maximum visibility.

Wheelbase

Depending on capacity there are three options allowing the truck to be tailored to the application requirements :

Short Wheelbase

ERC 22VG/25VG - 375 Ah

Medium Wheelbase

ERC 22VG/25VG/30VG - 450 Ah

Long Wheelbase

ERC 32VG/35VG - 600Ah

Low lifetime costs

Lower maintenance costs are achieved primarily through the use of Hall Effect sensors, 'O' Ring face seals, an electric park brake, CANbus and AC Technology. Auto-regenerative braking reduces service brake usage contributing to an increase in component life. 1000 hours service intervals are standard on most components.

Options

- AccuTouch™ mini-levers
- Return to Set Tilt
- Foot directional control
- Lighting kits, including LED lights
- Reverse alarm
- Integrated side-shifting fork positioner carriage
- Custom batteries
- Audible back up alarm
- Visible alarm strobe
- Load weight indicator
- Impact sensor
- Swivel full suspension seats (cloth/vinyl)

Option Bundles

- Operator comfort
- Productivity

HYSTER-YALE UK LIMITED

trading as **Yale Europe Materials Handling**
Centennial House, Frimley Business Park,
Frimley, Surrey GU16 7SG, United Kingdom.

Tel: +44 (0) 1276 538500



Fax: +44 (0) 1276 538559

www.yale-forklifts.eu



Publication part no. 220990049 Rev.02 Printed in The Netherlands (0618HG) EN.

Safety: This truck conforms to the current EU requirements. Specification is subject to change without notice.

Yale, VERACITOR and  are registered trademarks. "PEOPLE, PRODUCTS, PRODUCTIVITY", PREMIER, Hi-Vis, and CSS are trademarks in the United States and certain other jurisdictions. MATERIALS HANDLING CENTRAL and MATERIAL HANDLING CENTRAL are Service Marks in the United States and certain other jurisdictions.  is a Registered Copyright.

©Yale Europe Materials Handling 2018. All rights reserved. Truck shown with optional equipment.
Country of Registration: England and Wales. Company Registration Number: 02636775