



# MSC12

SPEC SHEET

1,200 kg

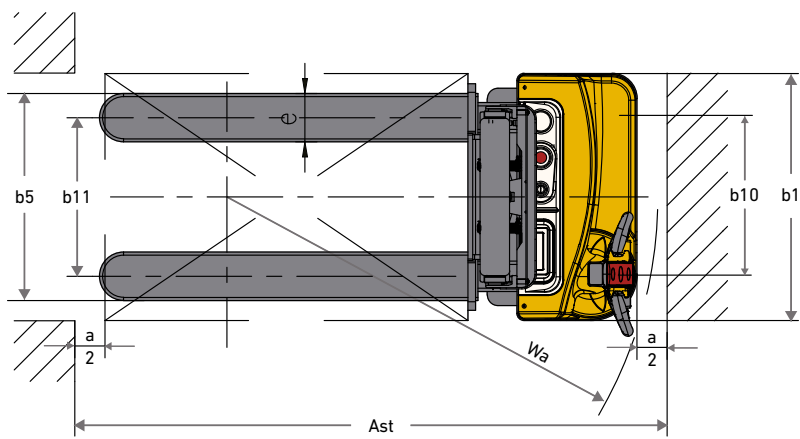
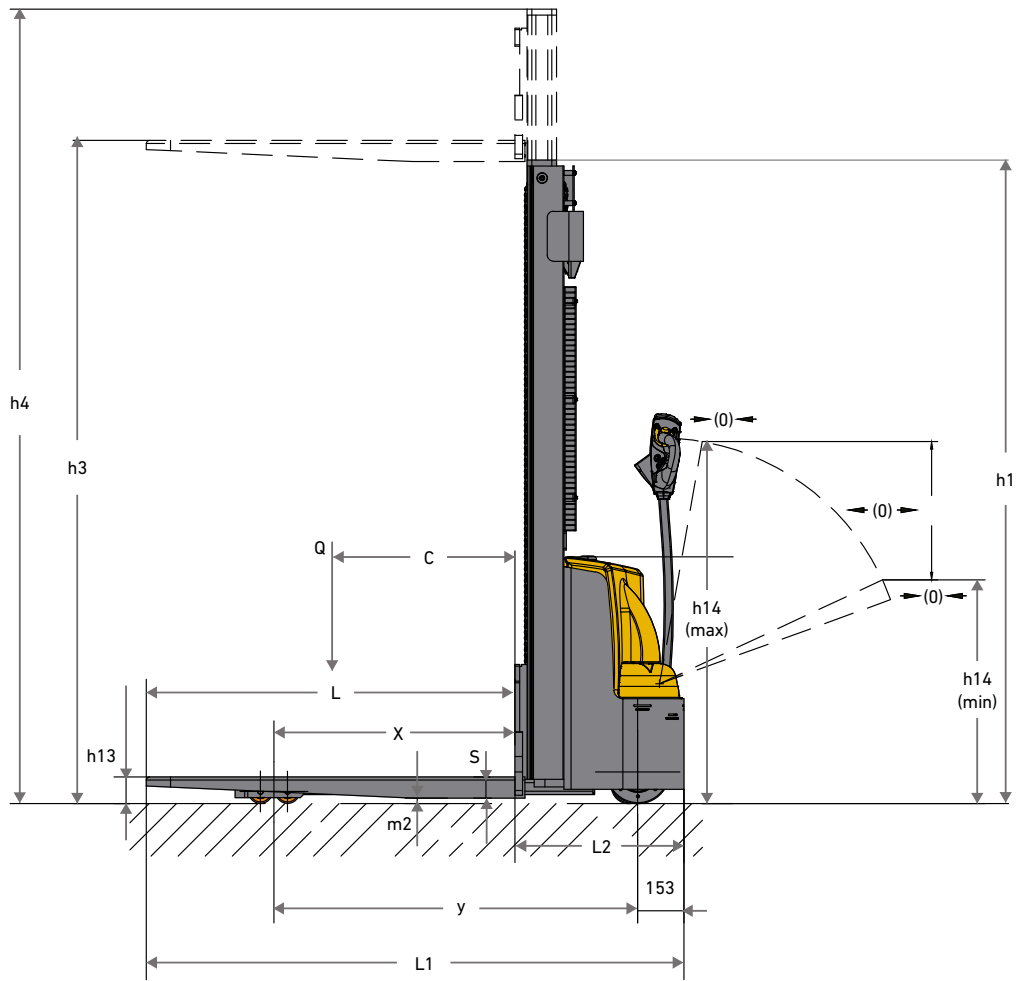
---

MSC12

---

Compact Pedestrian  
High Lift Stacker

TRUCK DIMENSIONS – MSC12



## VDI 2198 – GENERAL SPECIFICATIONS – MSC12

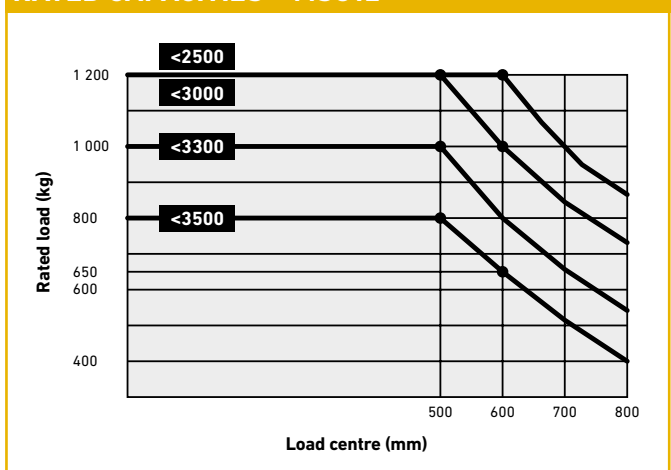
GENERAL	1-1	Manufacturer	Yale			
	1-2	Model designation	<b>MSC12</b>			
	1-3	Drive	Electric			
	1-4	Operator type	Pedestrian			
	1-5	Load capacity/rated load	Q (kg)	1200		
	1-6	Load centre distance	c (mm)	600		
	1-8	Load distance, centre of drive axle to fork	x (mm)	800		
	1-9	Wheelbase	y (mm)	1210		
WEIGHT	2-1	Service weight (without battery) (560/680)	kg	529.4 / 502.4	556.4 / 523.4	575.4 / 546.4
	2-1-1	Service weight (with 60Ah Li-battery) (560/680)	kg	543	570	589
	2-2	Axle loading, laden front/rear (2.5m lifting height)	kg	526 / 1228.4		
	2-3	Axle loading, unladen front/rear (2.5m lifting height)	kg	416 / 138.4		
TYRES	3-1	Wheels	Polyurethane			
	3-2	Wheel size, front	Ø x width (mm)	210 x 70		
	3-3	Wheel size, rear	Ø x width (mm)	80 x 70		
	3-4	Additional wheels (dimensions)	Ø x width (mm)	115 x 55		
	3-5	Wheels, number front/rear (x = driven wheels)		1 x + 1 / 4		
	3-6	Tread, front	b <sub>10</sub> (mm)	550		
	3-7	Tread, rear	b <sub>11</sub> (mm)	390 (560 fork width) / 525 (680 fork width)		
DIMENSIONS	4-2	Lowered mast height	h <sub>1</sub> (mm)	1730	1980	2230
	4-4	Lift height	h <sub>3</sub> (mm)	2500	3000	3500
	4-5	Extended mast height	h <sub>4</sub> (mm)	2935	3435	3935
	4-9	Height of tiller in driving position, min./max.	h <sub>14</sub> (mm)	910/1270		
	4-15	Height, lowered	h <sub>13</sub> (mm)	85		
	4-19	Overall length	l <sub>1</sub> (mm)	1730 (1150 fork length)		
	4-20	Length to face of forks	l <sub>2</sub> (mm)	560		
	4-21-1	Overall width across chassis	b <sub>1</sub> (mm)	820		
	4-21-2	Overall width across all/Outer width straddle	b <sub>2</sub> (mm)	820		
	4-21-5	Inner width straddle	b <sub>14</sub> (mm)	/		
	4-22	Fork dimensions	s/e/l (mm)	70 x 160 x 1150		
	4-25	Width over forks	b <sub>5</sub> (mm)	560/680		
	4-32	Ground clearance, centre of wheelbase	m <sub>2</sub> (mm)	30		
	4-34-1	Aisle width for pallets 1000 x 1200 crossways	Ast (mm)	2268	2268	2268
	4-34-2	Aisle width for pallets 800 x 1200 lengthways	Ast (mm)	2194	2194	2194
	4-35	Turning radius	Wa (mm)	1425		
PERFORMANCE	5-1	Travel speed, with/without load	km/h	4 / 4.5		
	5-2	Lift speed laden / unladen	mm/s	102 / 190		
	5-3	Lowering speed laden / unladen	mm/s	30-135 / 20-200		
	5-8	Max. gradeability, with/without load	%	5 / 10		
	5-10	Service brake		Electromagnetic		
ELECTRIC	6-1	Drive motor rating S2 60 min	kW	0.75		
	6-2	Lift motor rating at S3 15%	kW	2.5		
	6-4	Battery voltage/nominal capacity K5	V/Ah	24V / 60Ah Li-battery x 1		
	6-5	Battery weight +/- 5%	kg	14 (60Ah Li-battery)		
	6-6	Energy consumption according to EN 16796	kWh	0.42		
	8-1	Type of drive control		DC speed control		
	8-4	Sound level at the driver's ear according to EN 12053	dB (A)	75		

### MAST DIMENSIONS – MSC12

Height, Mast Lowered	Lift Height	Extended Mast height
h <sub>1</sub> (mm)	h <sub>3</sub> (mm)	h <sub>4</sub> (mm)
2-Stage NFL Mast		
1730	2500	2935
1980	3000	3435
2230	3500	3935

All values are nominal values and they are subject to tolerances.

### RATED CAPACITIES – MSC12





# About Yale®

Yale Materials Handling Corporation is one of the oldest manufacturers of lift trucks in the world. We've been in the business of lifting since 1875 and we apply that experience to help customers solve materials handling challenges. Our full line of lift trucks range in capacity from 1 to 16 tonne and are powered by internal combustion engines or electric options. Yale also offers robotic solutions, telemetry, fleet management, parts, financing and training. From traditional lift truck equipment to emerging technologies, our goal, every day, is to work with our nationwide dealer network to continually improve and provide the solutions you need, when and how you need them.

## MATERIALS HANDLING FOR:

- 3PL
- Auto Parts
- Beverage
- Cold and Frozen Foods
- Food Distribution
- Food Processing
- Furniture and Furnishings
- Health and Pharma
- Home Centres
- Retail
- E-Commerce

## Yale Lift Truck Technologies

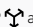
Centennial House  
Frimley Business Park  
Frimley  
Surrey  
GU16 7SG  
United Kingdom

[www.yale.com](http://www.yale.com)



**Safety:** All Yale products sold into EU countries, UK, and Turkey conform to the EU requirements of Machinery Directive 2006/42/EC and contain CE marking. Yale trucks sold into other countries may be ordered for production in conformance with Machinery Directive requirements, and when so ordered will contain CE marking.

HYSTER-YALE UK LIMITED trading as Yale Lift Truck Technologies. Registered Address: Centennial House, Building 4.5, Frimley Business Park, Frimley, Surrey, GU16 7SG, United Kingdom. Registered in England and Wales. Company Registration Number: 02636775.

©2024 Hyster-Yale Materials Handling, Inc., all rights reserved. Yale® and YALE®  are trademarks of Hyster-Yale Materials Handling, Inc. Trucks may be shown with optional equipment and/or features not available in all regions. Truck performance may be affected by the condition of the vehicle, how it is equipped and the application. Specifications are subject to change without notice.

**Notice:** Care must be exercised when handling elevated loads. Operators must be trained and must read, understand and follow the instructions contained in the Operating Manual. Consult your Yale® Dealer if any of the information shown is critical to your application.

Publication part no. 220997156 Rev.00 (0724DMS) EN